

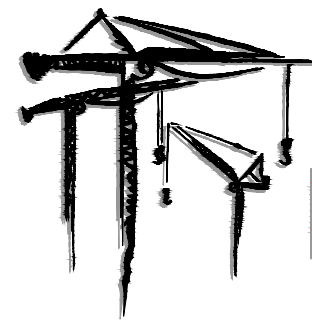
LEWIS

CRANE  HOIST

• Tower Crane • Hoist • Mobile •
Rentals and Sales



MORITSCH RTT520
Lowtop Tower Crane

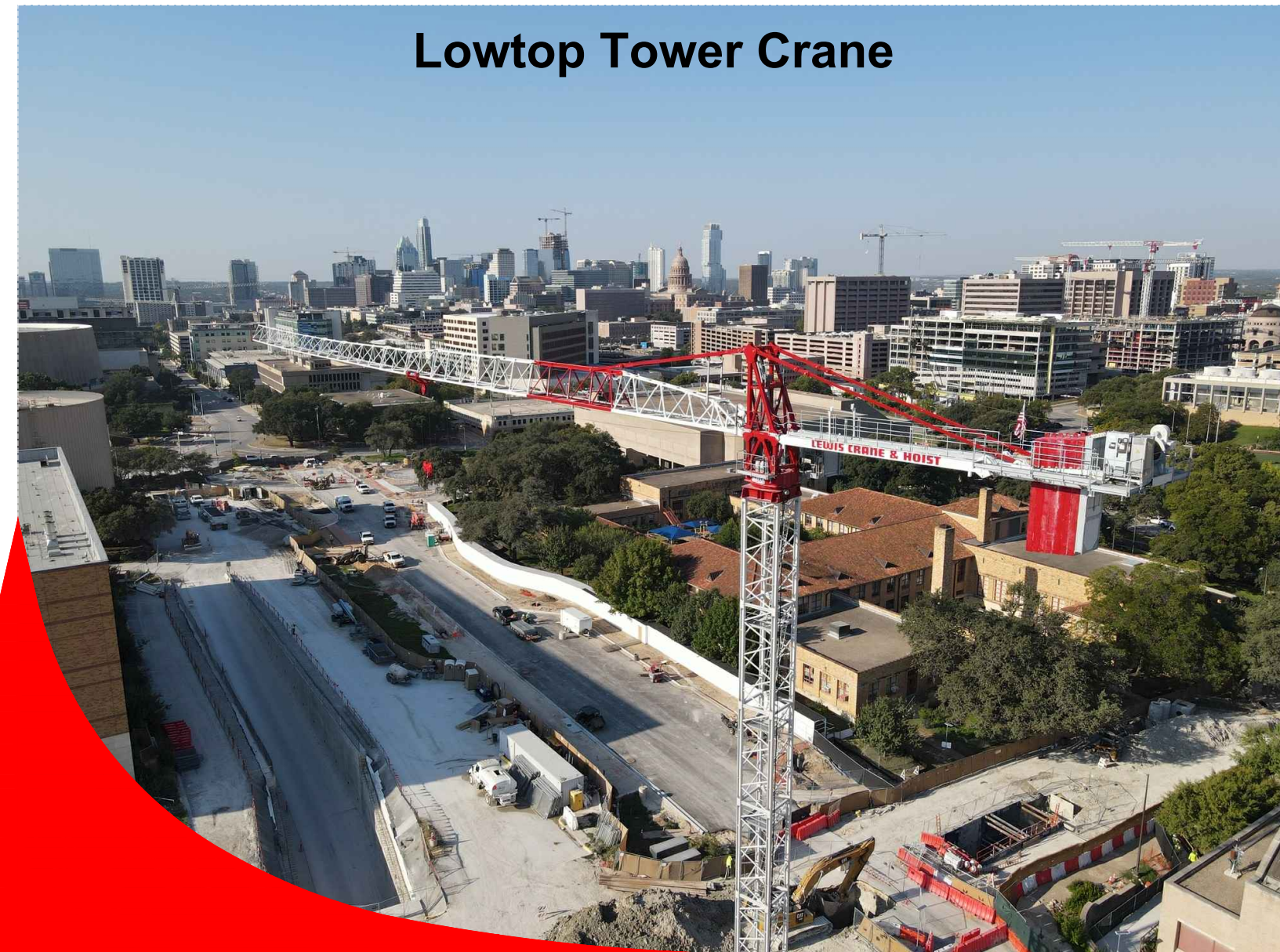


LEWIS

CRANE  HOIST

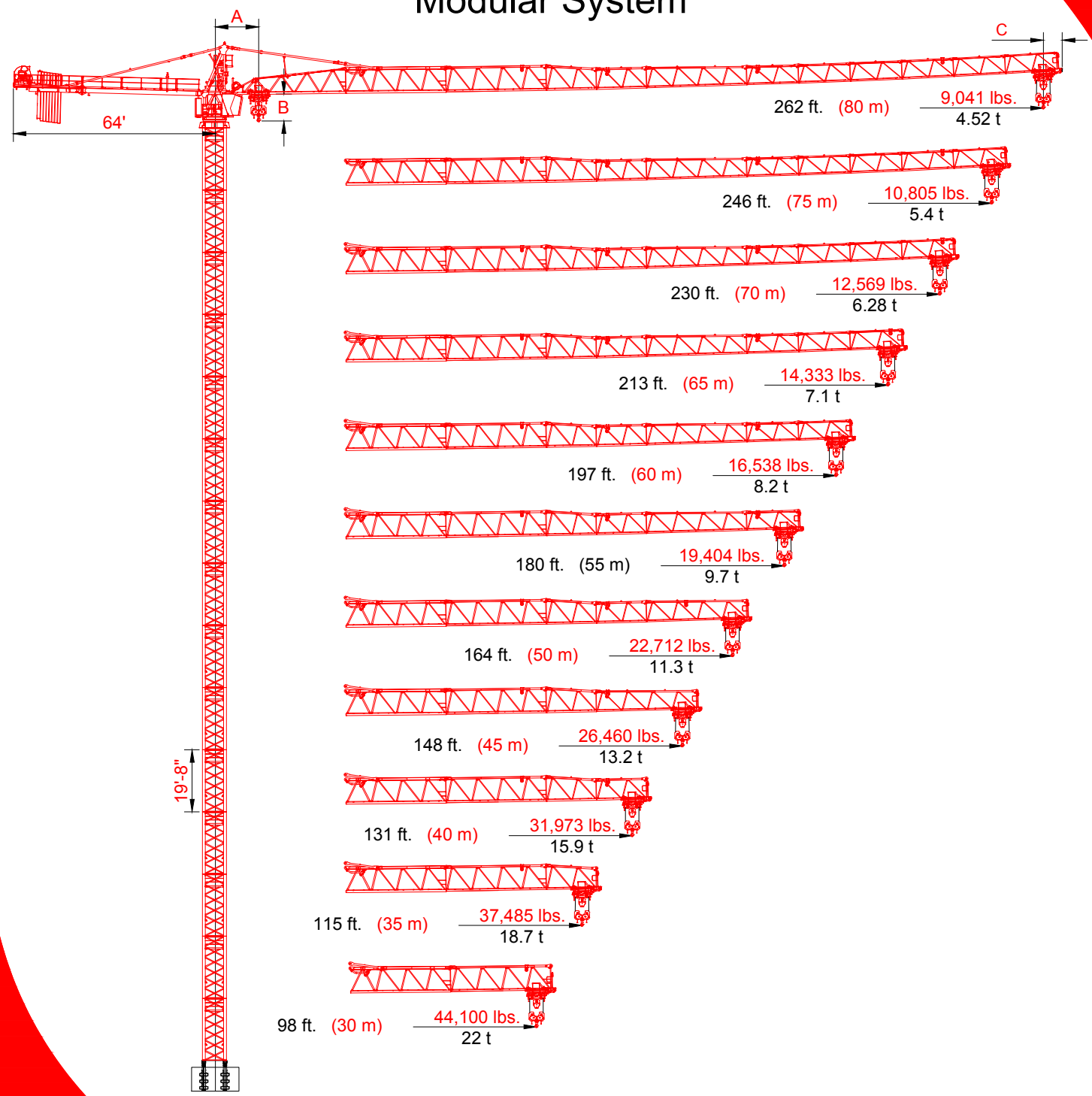
2214 HWY. 1187 BLDG. 1
Mansfield, TX76063
817-225-1090

"Your Turnkey Crane and Hoist Provider"





**Topless Tower Crane
Modular System**



A =Centerline crane to minimum 2 part hook radius 8'-6"
 B =Bottom of jib to hook block 6'-7"
 C =Add for jib tip radius 6'-7"

Line Speeds and Power Requirements

Power Requirements
 148 hp (110 kW)

2 - Part Line	Line Speed	Capacity
26,460 lbs. 12 t	459 ft/min 140 m/min	2,200 lbs. 1.1 t
	196 ft/min 60 m/min	10,600 lbs. 5.3 t
	141 ft/min 43 m/min	15,600 lbs. 7.8 t
	98 ft/min 30 m/min	26,460 lbs. 12 t

4 - Part Line	Line Speed	Capacity
44,100 lbs. 24 t	230 ft/min 70 m/min	4,400 lbs. 2.2 t
	95 ft/min 29 m/min	22,000 lbs. 11 t
	69 ft/min 21 m/min	32,000 lbs. 16 t
	49 ft/min 15 m/min	48,000 lbs. 24 t

Unit	Horsepower	Kilowatts	Speed
TROLLEY	10	11	0 - 328 ft/min 0 - 100 m/min
SWING	4 x 10 hp	4 x 11	0 - 0.8 rpm

Power Requirements
 480 volts, 3 phase, 60 Hz, 300 amp service

Additional Equipment and Services Available

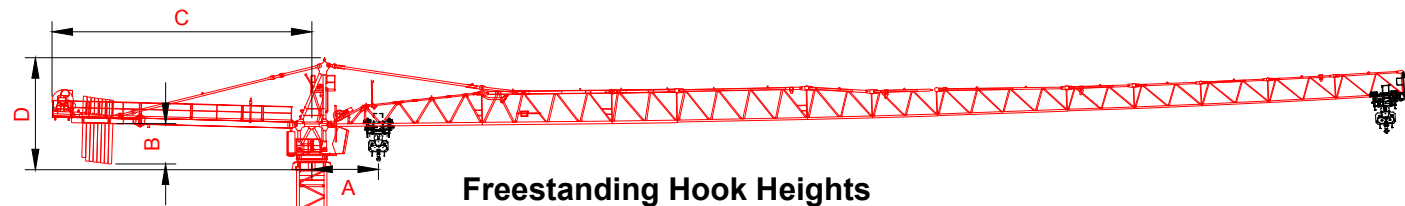
- Moritsch Tower Cranes
- Comedil Tower Cranes
- Peiner Tower Cranes
- Sun Tower Cranes
- Comansa Tower Cranes
- Timberland Derricks
- Hardrock Elevators
- Hercules Elevators
- Specialized Rigging
- Technical Services
- Third Party Inspections
- Parts and Repair Services
- Erection and Dismantlement Services

*Due to product improvement specifications are subject to change without notice.

EQUIPMENT RENTALS - SALES- 24 HOUR SERVICE - YARD STORAGE & TRANSFERS - REGIONAL SERVICE

2214 FM 1187, SUITE 1
 MANSFIELD, TX 76063
 OFFICE: 817-225-1090 FAX: 817-225-1095

WWW.LEWISCRANEANDHOIST.COM



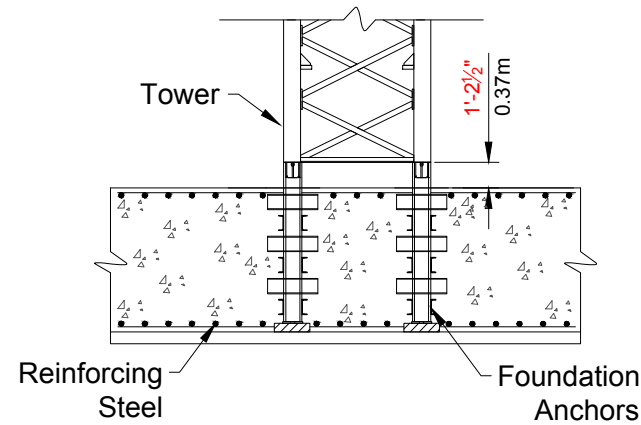
Freestanding Hook Heights on Concrete Foundation

Towers	Feet	Meters
1	23.0	6
2	42.6	12
3	62.4	18
4	82.0	24
5	101.7	30
6	121.4	36
7	141.1	42
8	160.8	48
9	180.5	54
10	200.1	60
11	219.8	66
*12	239.5	72
*13	259.2	78
*14	278.9	84

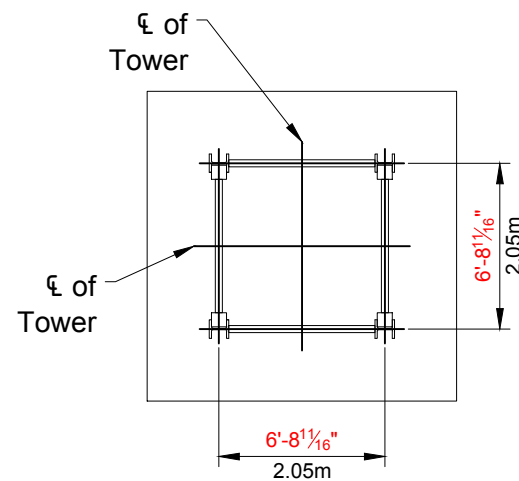
For greater freestanding heights or hook heights contact Lewis Crane and Hoist
 * Denotes big tower underneath to accomplish heights

Note:
 Hook heights may be limited by geographic location

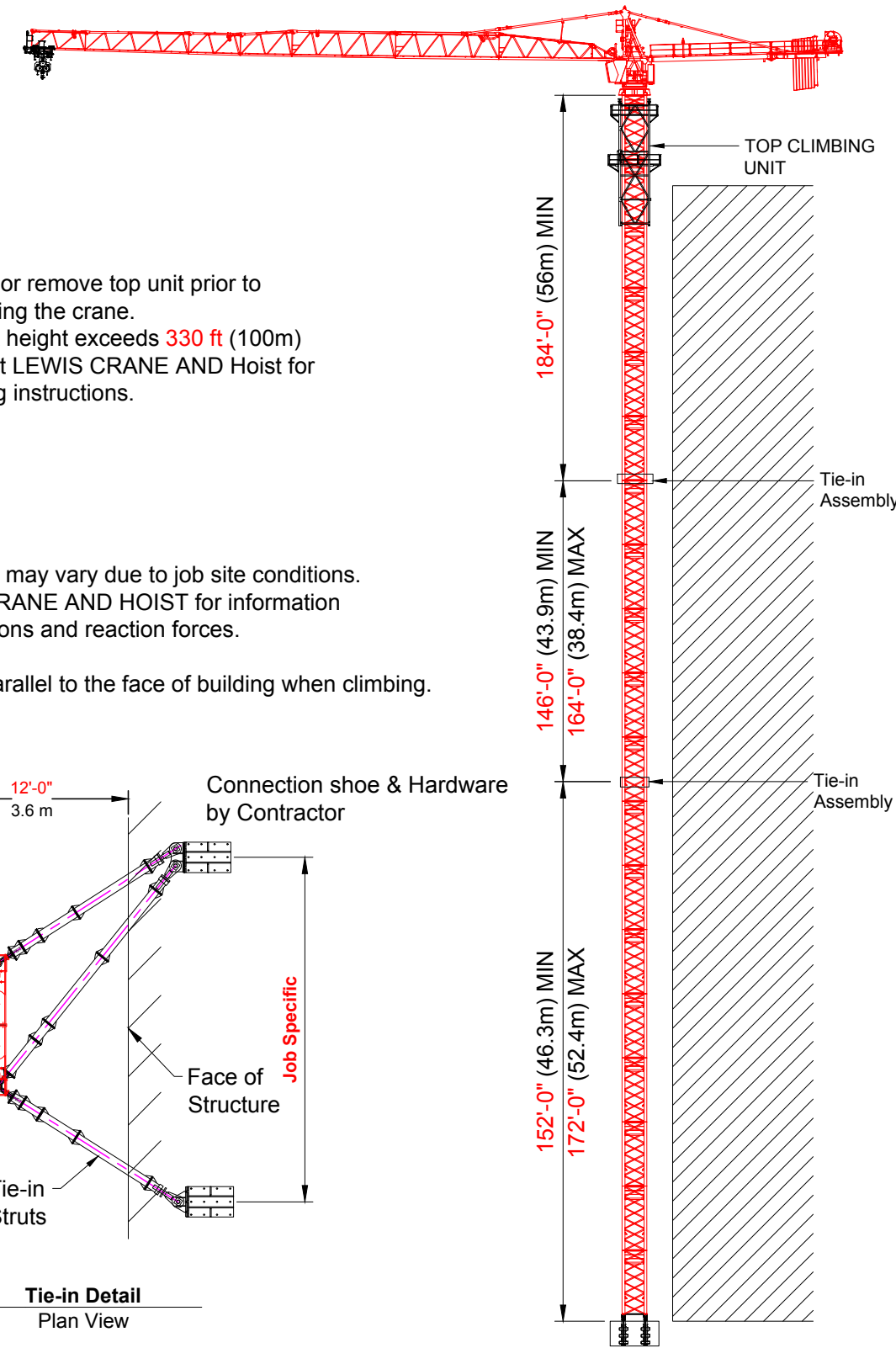
A = Height of telescoping unit 30'-8" 11.6m
 B = Height of complete slewing unit 10'-3" 3.1m
 C = Height of jib section 8'-1" 2.46m



Elevation View of Anchors
 *Dimensions pertaining to 22.6 anchor



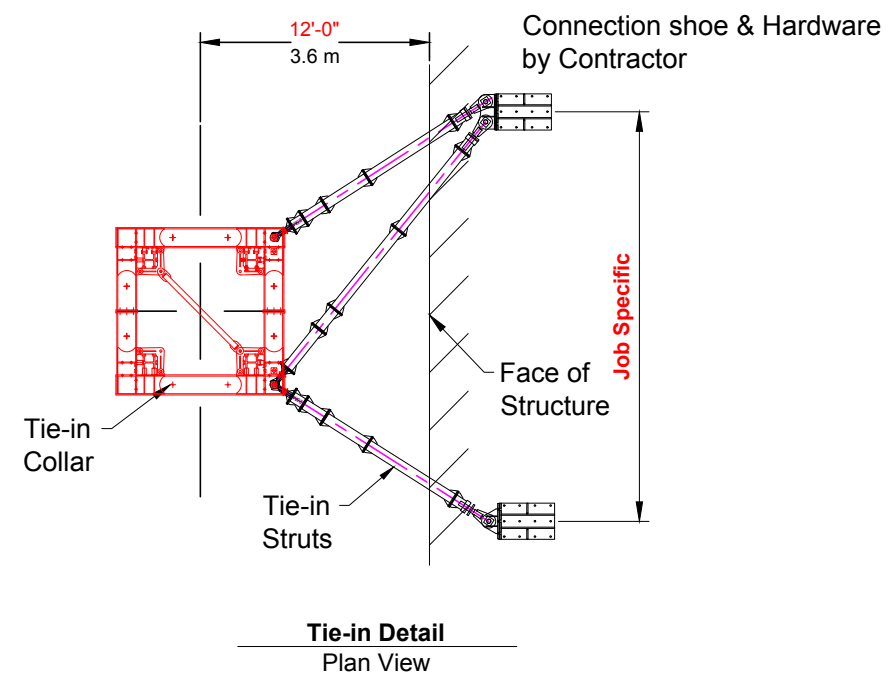
Plan View of Anchors



NOTE:
 1. Lower or remove top unit prior to operating the crane.
 2. If hook height exceeds 330 ft (100m) contact LEWIS CRANE AND Hoist for bracing instructions.

NOTE:
 Tie-in installations may vary due to job site conditions. Contact LEWIS CRANE AND HOIST for information regarding dimensions and reaction forces.

The jib must be parallel to the face of building when climbing.



Tie-in Detail
 Plan View

TOP CLIMBING